

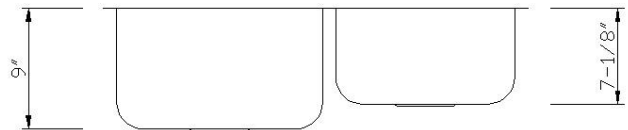
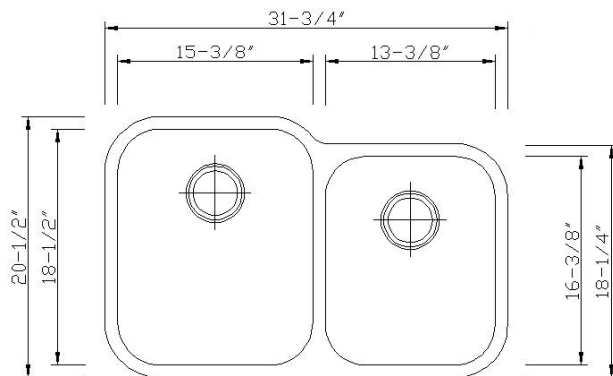


Verona 64 (60/40 Double Bowl)

- Premium 304 Grade Stainless Steel
- 18 Gauge Thickness
- Cico sound control pad
- Bead Blast Finish
- UPC Certified
- Manufactured in South Korea



* Supplied with cutout template, fastners and install instruction

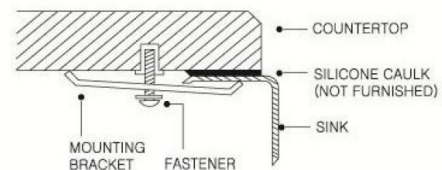


Dimensions

	Width	Length	Depth
Overall	31 3/4" (807mm)	20 1/2" (521mm)	9" (229mm)
Inner Left	15 3/8" (391mm)	18 1/2" (470mm)	9" (229mm)
Inner Right	13 3/8" (340mm)	16 3/8" (416mm)	7 1/8" (181mm)

*Metric conversions are approximate
** Dimensions can vary by 1/16"

Install Instructions



Use outside lines for reveal mount cut:

Sink rim is 1/4" revealed from the countertop opening.

Use inside lines for flush mount cut:

Sink wall is flush to the edge of countertop opening.