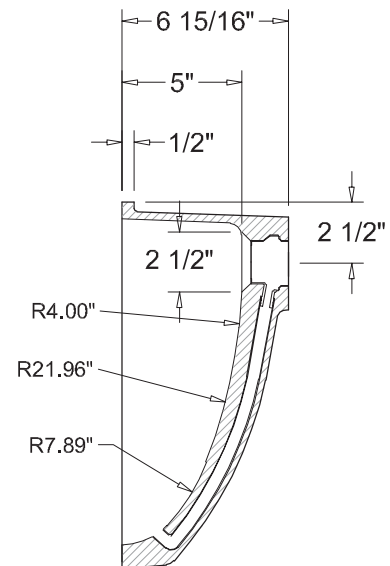
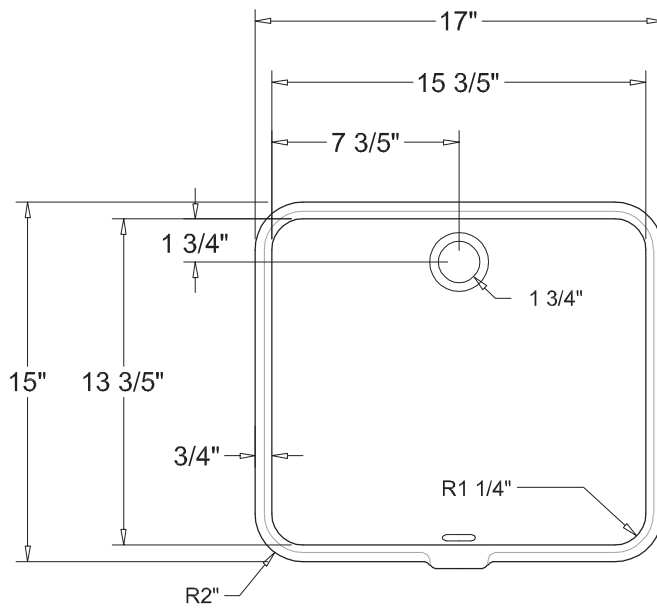


## Single Sink 1715 (New)

- ADA Compliant
- Integrated overflow for residential and commercial use
- Offset Drain Hole
- Acrylic blend
- Limited Warranty (10 years)
- Manufactured in Mexico



### Available Colors



### Dimensions

	Width	Length	Depth
<b>Overall</b>	17" (432 mm)	15" (381 mm)	6 15/16" (176 mm)
<b>Inner</b>	15 3/5" (396 mm)	13 3/5" (345 mm)	5" (127 mm)

\* Metric conversions are approximate  
\*\* Dimensions can vary by 1/16"